



Specifications: RS1001i-II-T

System Type	10-inch subwoofer, open-ceiling, ported (150-watt transformer for 25/70.7/100-volt or transformer bypass applications)
Impedance (nominal) ¹	4 ohm
Sensitivity dB @ 2.83 V/1 m	86.0 dB
Sensitivity dB @ 1 W/1 m ²	83.0 dB
Frequency Response (-3 dB) ³	53 Hz - 175 Hz
Frequency Response (-10 dB) ³	38 Hz - 450 Hz
Max. Program Power ⁴	300 W
Max. Continuous Power RMS ⁵	150 W
Max. Power SPL @ 1 m ⁶	105.0 dB
Tap Selector	Five-position rotary switch with transformer bypass
Transducer - Low-Frequency Driver	254 mm (10 in.) polypropylene cone, butyl rubber surround
Low-Frequency Voice Coil	35.0 mm / 1.38 in.
Network Type: Low-Pass	6 dB per octave, 1st order
Network Type: High-Pass	N/A
Enclosure Material	Injection-molded ABS, glass fiber reinforced
Grille	Powder coated steel
Inputs	Four-pin, 5.08 mm Euroblock for individual or daisy chain connection
Colors	Black or white
Height	437.6 mm (17.23 in.)
Diameter	376.4 mm (14.82 in.)
Weight	12.3 kg (27.0 lbs)
Shipping Weight	14.8 kg (32.5 lbs)
Included accessories	Hanging hardware, Euroblock connector, terminal weather boot
Optional accessories	Surface-mount bracket (AC-RS-SM8)
Packaging	One per box
Regulatory - UL	1480 (UEAY) and 2239-approved
Regulatory - CE	Approved
RoHS	Approved

¹ Impedance listed per IEC 60268-5

² 1 W 1 m sensitivity determined using nominal impedance

³ Frequency response measured in half or full space as dictated by speaker mounting configuration

⁴ Max program power is 3 dB above max continuous power

⁵ Continuous power rating, EIA-426-B test

⁶ Max output based on max continuous power

⁷ Max useable SPL based on testing by NWA Labs

Transformer Taps

70.7 V	Output	100 V	Output	25 V	Output
150 W	105.0 dB	150 W	105.0 dB	19 W	96.0 dB
75 W	102.0 dB	75 W	102.0 dB	9.5 W	93.0 dB
38 W	99.0 dB	38 W	99.0 dB	4.8 W	90.0 dB
19 W	96.0 dB			2.4 W	87.0 dB

Key Features

- One 10 inch (254 mm) polypropylene cone with a butyl rubber surround attached to a reinforced baffle.
- Baffle-mounted, flared and tuned ports for maximum efficiency and frequency response.
- High-output (105 dB) and maximum efficiency with an accentuated 70 Hz peak to maximize listener's low-frequency experience.
- 150-watt, low insertion-loss transformer with an easy-access, five-position tap switch for 25/70.7/100-volt and transformer bypass positions.
- Weatherized components including powder-coated steel grille, hanging hardware and a durable ABS enclosure for indoor/outdoor applications.
- Includes UL listed hanging hardware with high-quality cables and integrated Speed-Clamp™ self-locking wire clamp for fast, easy and secure installation.
- UL 1480 (UEAY) and CE-approved. Hanging hardware is UL 2239-approved.
- High-quality black or white painted finish. Custom colors available.
- Included accessories: hanging hardware, Euroblock connector, terminal weather boot.
- Optional accessories: surface-mount bracket (AC-RS-SM8).

Description

The RS1001i is a 10-inch open-ceiling or surface-mount subwoofer tuned for maximum output and performance across the operating bandwidth. By incorporating a 10-inch polypropylene woofer and a butyl rubber surround in a tuned and ported enclosure, this speaker delivers maximum low frequency response (38 Hz – 450 Hz, -10 dB, independently verified) and high SPL (105 dB).

Mounting hardware includes high-quality UL listed cables and integrated SpeedClamp™ self-locking wire clamp for fast, easy and secure installation. For easy ordering, stocking and installation, the RS1001i-II-T includes a five-position tap switch for 25-, 70.7- and 100-volt applications with a transformer bypass position.



Applications

The RS1001i-II-T is an indoor/outdoor, background to foreground subwoofer for installations where high quality, true bass response and rapid installation are critical variables. Aerobic rooms, retail, restaurants, nightclubs, bars, theme parks, arenas, ballrooms and churches are all ideal fits for the RS1001i-II-T.

Because overall system design is a critical component of subwoofer integration, SoundTube engineering recommends incorporating a DSP system with an active crossover to maximize subwoofer integration and overall system performance. Tuning the system based on room acoustics and loudspeaker selection will result in smooth response and reduced subwoofer localization. For system engineering assistance, contact SoundTube at engineering@soundtube.com or by calling 800-647-8823 (international: +1-435-647-9555).

BroadBeam® Wide Dispersion Technology

SoundTube's proprietary BroadBeam® technology incorporates a high-frequency waveguide mated to a 1-inch convex aluminum tweeter. The BroadBeam® high-frequency waveguide delivers a consistent dispersion pattern across the upper registers of the frequency spectrum (up to 10 kHz, independently verified). The result is better edge-to-edge coverage, reduced power needs, shorter installation time and cost savings on shipping and labor.

Patented SoundTube Technologies

SoundTube Entertainment and MSE Audio Group constantly develop new technologies that enhance audio product performance. SoundTube Entertainment innovations are protected by multiple U.S. and international patents, which explicitly cover SoundTube dispersion, enclosure and dome technologies. MSE Audio Group actively defends its patents in order to protect SoundTube resellers and end users.

Technical Data and Specification Tools

Technical Data

SoundTube Entertainment strives to

provide complete and effective technical information and data to dealers, engineers and designers. All data are available from SoundTube Entertainment or at www.soundtube.com.

Technical data and downloads include:

EASE™ data – 3-D polar plots.

EASE™ Address – 2-D modeling for distributed systems

Autodesk® Revit® software

Tech Sheets – Technical information and architectural specs for system engineers

SoundTubeSPEC™ – Proprietary speaker placement software

Data Acquisition and Verification

All data for SoundTube speakers are independently collected from and verified by NWAALabs (www.nwaalabs.com) using their proprietary MACH testing system. All data are collected and analyzed according to ASTM, ISO and AES standards using EASRA, TEF and MLSSA. Full balloon data including both phase and magnitude are compiled into a variety of formats including EASE 4.x, GLL and CLF.

Architectural Specifications

The subwoofer shall consist of one 254 mm (10 in.) low-frequency transducer installed in a ported enclosure. The transducer shall have a polypropylene cone with a butyl rubber surround.

Performance specifications of a typical production unit shall be as follows: Usable frequency range shall extend from 38 Hz - 450 Hz (-10 dB, independently verified.) Maximum continuous output at 1 meter shall be at least 105 dB. The subwoofer shall be usable at 25/70.7/100 volts with selectable tap settings up to 150 watts or transformer bypass position. Rated power capacity of the components and network shall be at least 150 watts continuous RMS and conform to EIA-426-B testing.

The enclosure shall be constructed of injection-molded, glass-reinforced ABS. The grille shall be constructed of powder-coated steel.

Installation for the subwoofer shall be by UL listed, galvanized steel cable affixed to the speaker chassis via an integrated hook assembly. For safety redundancy, a second-

ary hanging cable shall be included and attach to the speaker chassis. The external wiring input connector shall be a four-pin, 5.08 mm Euroblock for 4-ohm or distributed systems and shall accept from 10 – 22-gauge wire.

The unit shall be factory preset to 150 watts in the 70.7-volt operating mode with a tap switch located on the front baffle.

The enclosure shall be constructed of injection-molded, glass-reinforced ABS. The grille shall be constructed of powder-coated steel for lasting performance in the elements. Overall cabinet dimensions shall be no more than 437.6 mm (17.23 in.) in height by 376.4 mm (14.82 in.) in diameter.

The subwoofer shall include hanging hardware, Euroblock connector and weather-resistant terminal boot.

The system shall be the SoundTube RS1001i-II-T for low- and high-impedance applications.

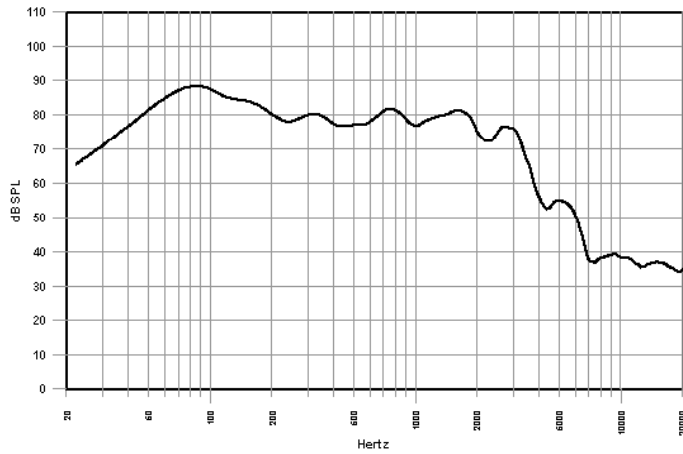
SoundTube Entertainment

6430 North Business Park Loop
Park City, Utah 84098
Phone 435.647.9555
Fax 435.647.9666
Toll Free 800.647.TUBE
www.soundtube.com

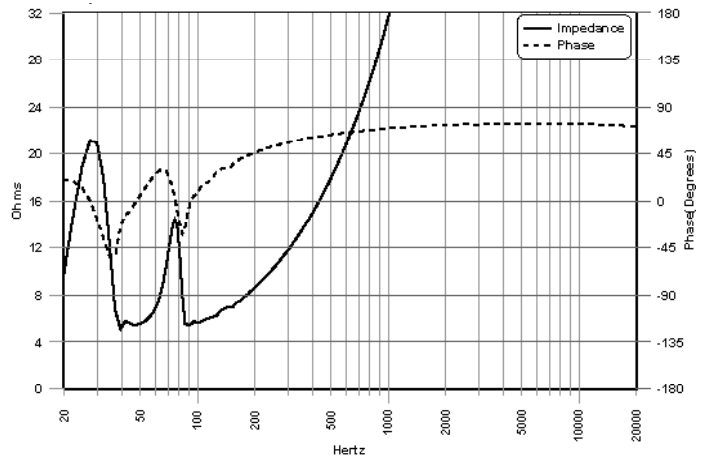


Graphs and Plots

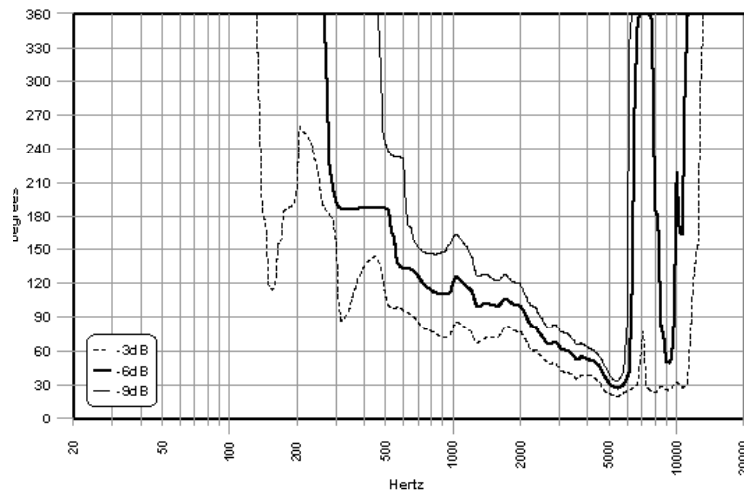
Frequency Response



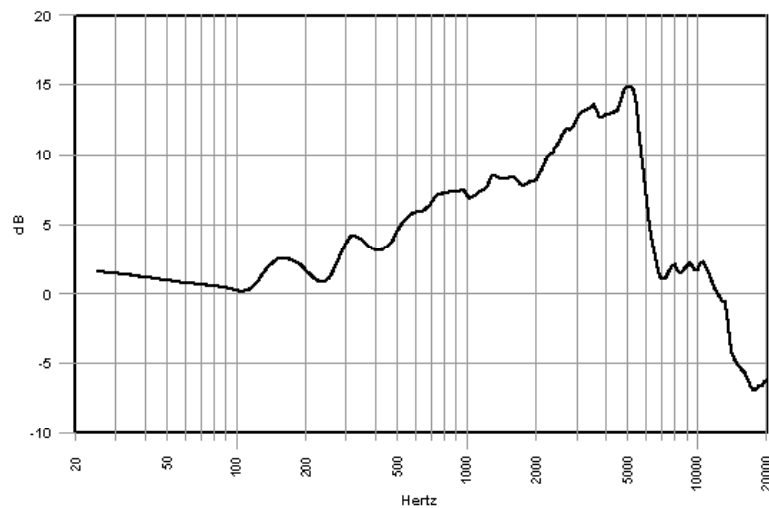
Phase/Impedance Response



Vertical Beamwidth



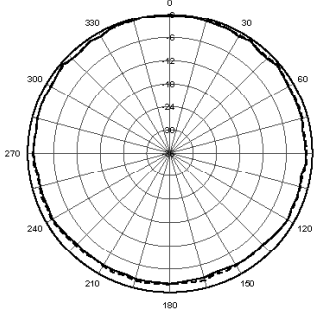
Directivity Index (DI)



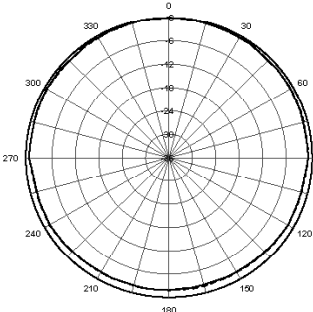


Polar Plots

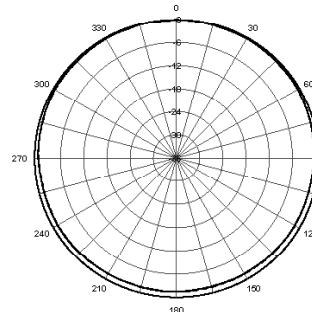
40 Hz



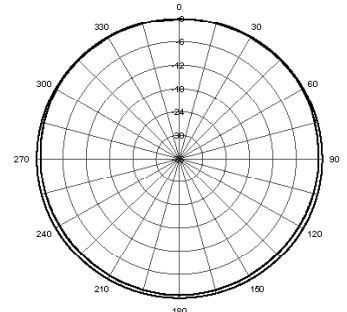
50 Hz



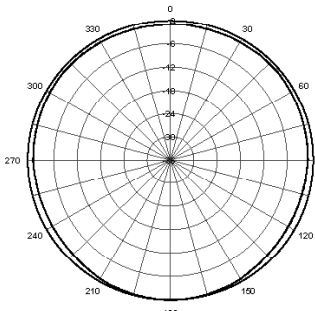
63 Hz



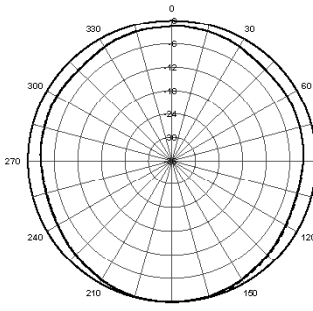
80 Hz



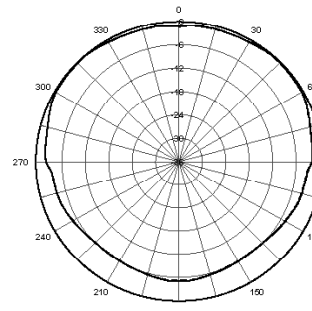
100 Hz



125 Hz



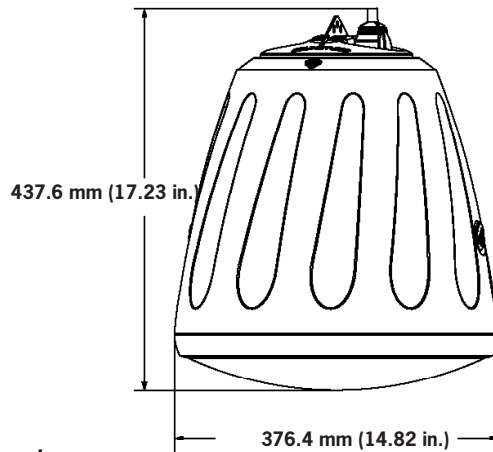
250 Hz



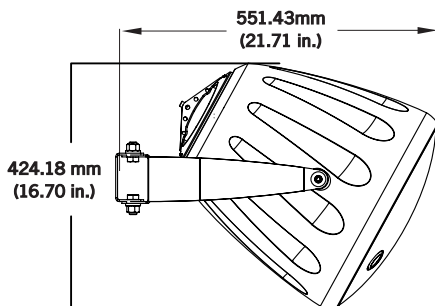
Mechanical Drawings

Technical data, EASE™ plots, SoundTubeSPEC™ software and product downloads available at www.soundtube.com

Mechanical Drawings

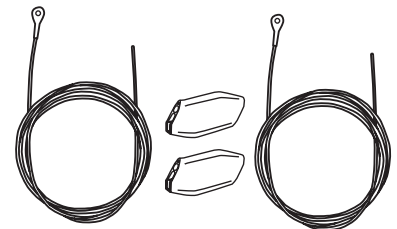


Optional Accessories



Surface-Mount Bracket (AC-RS-SM8)

Included Accessories



Hanging Hardware: Main & Safety Cables w/ SpeedClamp™

SoundTube's hanging cable kit incorporates hanging and safety cables and SpeedClamp™ self-locking cable clamps for an integrated and easy-to-install system. Hanging and safety cables are infinitely adjustable to 2.74 m (9.0 ft).

SoundTube Entertainment manufactures a complete line of speakers for:
Open-Ceiling • In-Ceiling • Surface-Mount • Outdoor • Sound-Focusing

All SoundTube products are designed and engineered in the U.S.A.