

TG H75c

Condenser Microphone



TG H75c



TG H75c tan

FEATURES

- Omnidirectional polar pattern
- Rotatable and slidable microphone boom for optimal positioning
- Unobtrusive metal microphone arm
- Unproblematic positioning due to omnidirectional polar pattern
- High wearing comfort

APPLICATIONS

The TG H75c headset microphone is exceptionally rugged in several respects: it can be flexibly positioned and is stunningly insensitive to pop noises thanks to its omnidirectional polar pattern. Whether for moderators, or hosts, in shows, at sporting events or on the stage, you will be impressed by the balanced sound of the TG H75c for wireless systems. Available in both black and tan.

The TG H75c microphone is available in two versions: as Opus version it can be connected to the beltpack transmitters of the wireless Opus 600 and Opus 910 microphone systems; as TG version it can be used with the wireless TG 1000 microphone system.

VERSIONS

TG H75c (Opus)	Condenser headset microphone, omnidirectional, cable with 4-pin mini XLR connector, black Order # 707.112
TG H75c tan (Opus)	same as above, but beige . . Order # 707.120

TECHNICAL SPECIFICATIONS

Transducer type	Condenser (back electret)
Operating principle	Pressure
Polar pattern	Omnidirectional
Frequency response	30 – 20,000 Hz
Open circuit voltage	7 mV/Pa; -43.1 dBV ±3 dB*
Nominal impedance	650 Ω
Load impedance	> 3.5 kΩ
Max. SPL at 1 kHz	138 dB*
Equivalent SPL	29 dB SPL*
Power supply	Direct current 1.5 - 9 V
Max. power consumption	700 µA
Connector	4-pin Tiny QG Pin 1 = 0 V Pin 2 = 0 V Pin 3 = AF output Pin 4 = bias voltage input

Dimensions	
Diameter	7.7 mm
Length microphone boom	146 mm
Weight	32 g

*measured with CV 18

TG H75c (TG)	Condenser headset microphone, omnidirectional, cable with 4-pin mini XLR connector, black Order # 708.380
TG H75c tan (TG)	same as above, but beige . . Order # 708.399

TG H75c

SUPPLIED ACCESSORIES

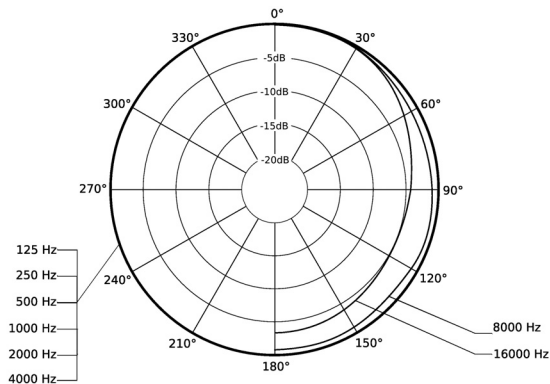
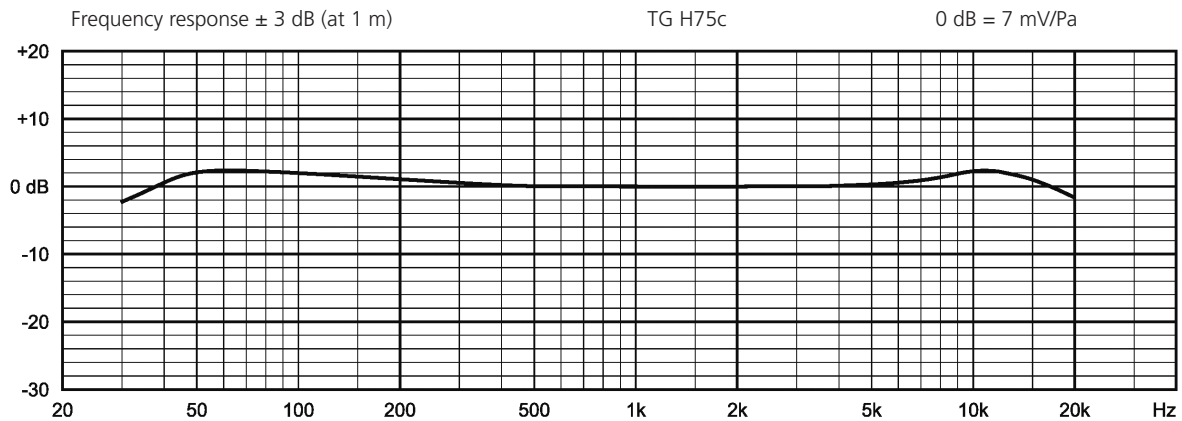
- WS 54 SW Wind shield, black,
supplied with the
black microphone only Order # 700.193
or
- WS 54 SC Wind shield, dark beige,
supplied with the
beige microphone only Order # 700.207
- Leatherette bag Order # 609.137

OPTIONAL ACCESSORIES

- CV 18 Power adapter to
connect to phantom
powered microphone inputs . . . Order # 475.378
- WS 54 SW Wind shield, black Order # 700.193
- WS 54 SC Wind shield, dark beige Order # 700.207

FREQUENCY RESPONSE & POLAR PATTERN

This polar pattern and frequency response curve (± 3 dB) correspond to a typical production sample for this microphone.



WIRING DIAGRAMS

