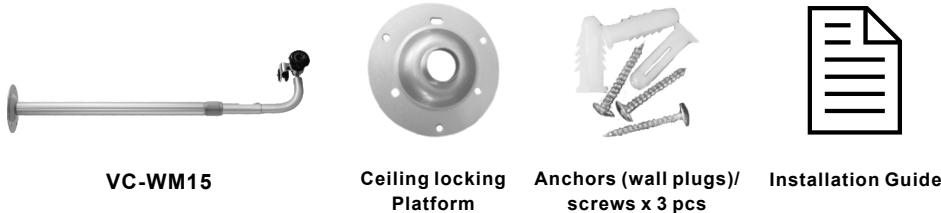


VC-WM15 Installation Guide

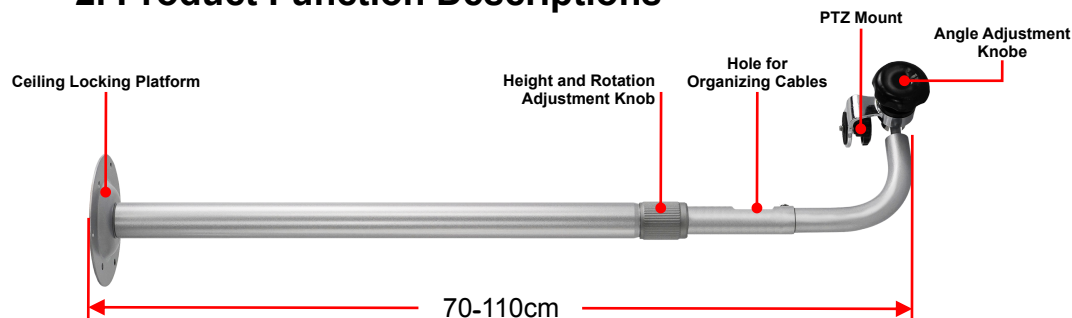
www.MyLumens.com

Lumens[®]

1. Package Contents



2. Product Function Descriptions

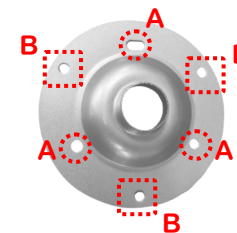


3. Precautions for installation

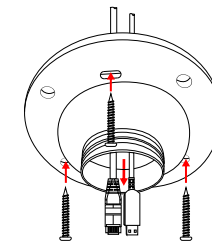
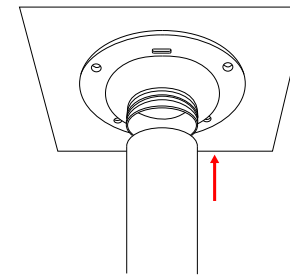
- 3.1 Load Capacity: 3 Kg
- 3.2 Please follow the following steps carefully to ensure that the unit is installed safely and securely.
- 3.3 Health and safety is important. Do not install this bracket on unstable ceiling or in a position that may impede a thoroughfare.
- 3.4 It is recommended installation is carried out by two adults.
- 3.5 For full dimensions, please go to [Lumens website > Support > Download Area](https://www.MyLumens.com/Support) <https://www.MyLumens.com/Support>

4. Instruction for installation steps

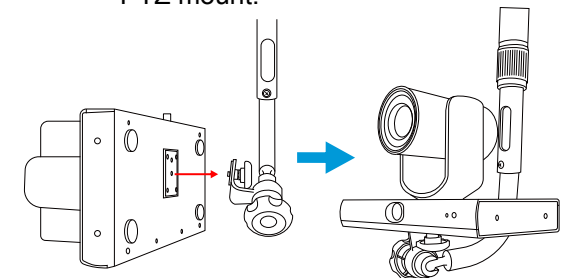
- 4.1 To install Ceiling locking Platform
Use *3 pcs of anchors (wall plugs) and screws to install the ceiling locking platform to the ceiling
 - * For mounting 3 pcs screws, please refer to the corresponding location of A and B in the figure below. Please do not mount arbitrarily to prevent insecure installation
 - * Pass through cables from the center hole of the ceiling locking platform and the bracket. Be aware that the pass thru feature is not designed to accommodate large HDMI, RS-232 or SDI connectors.



- 4.2 Screw the bracket into the platform for security



- 4.3 Mount the Camera
Securely attach the camera to the PTZ mount.



- 4.4 Adjust the bracket height and the angle of the camera

→ Adjust the bracket height: Rotate the regulating ring and the bracket in order to move the head up or down.

* After adjustment, be sure to tighten the regulating ring firmly

→ Change the tilt position of the camera using the Angle Adjustment Knob.

