

1. Package Contents



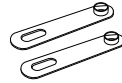
VC-WM14



Installation guide



Drilling paper



Support arm x2pcs



PTZ Camera Locking screw *4 pcs

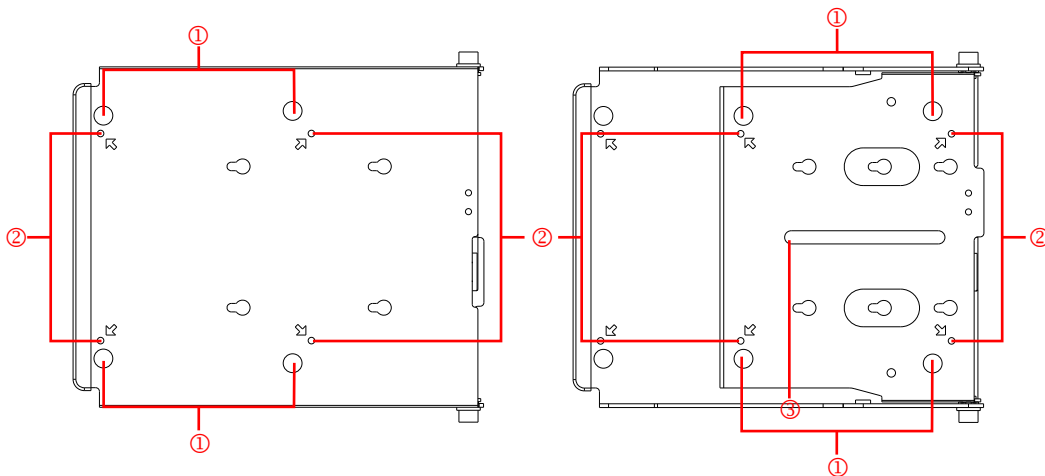
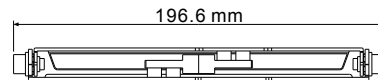
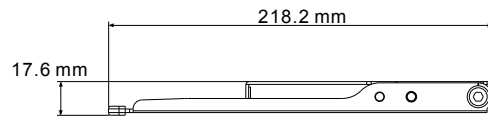


Box Camera Locking screw



M6*10 screw x4pcs

2. Product size and hole sites



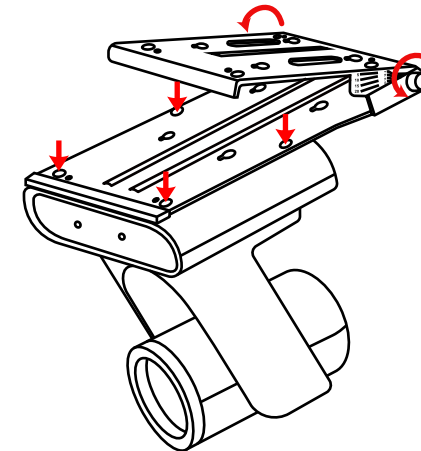
- ① Foot pad hole
- ② Screw hole
- ③ Screw hole for box Cameras

3. Precautions for installation

- 3.1 Load Capacity: 2 Kg
- 3.2 Follow these procedures step by step, to ensure correct installation of the device.
- 3.3 Do not install the bracket on an unstable ceiling or wall. Install the bracket in a position that does not cause an obstruction or hazard.
- 3.4 Do not use the VC-WM14 to mount box cameras to a wall or ceiling. Using VC-WM14, box cameras should only be mounted to a monitor.
- 3.5 For detailed dimensions and a technical drawing, please go to the [Lumens website > Service Support > Download Area](https://www.MyLumens.com/Support).
<https://www.MyLumens.com/Support>

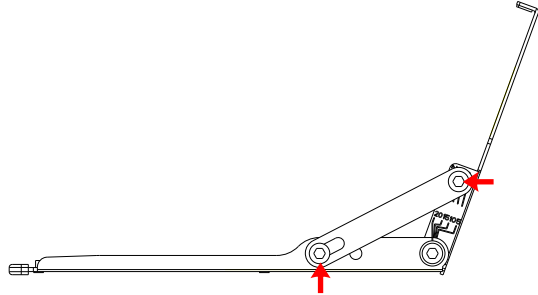
4. Instruction for installation steps

- 4.1 Instruction for ceiling installation
 1. Use the Drilling Paper to mark and drill holes in the ceiling.
 2. Fix the short side of the metal bracket to the ceiling.
 3. Fix the camera on the long side of the metal bracket and lock with 4x screws.
 4. Loosen the hexagonal screws on both sides to adjust the installation angle. Tighten the screws to fix the position.

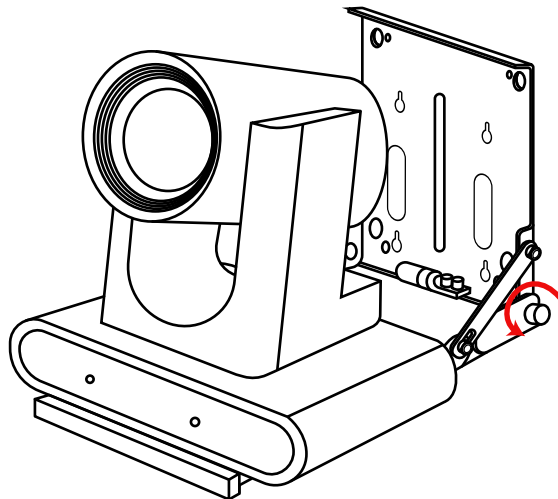


4.2 Wall Installation

1. Use the Drilling Paper to mark and drill holes in the wall.
2. Use accessory connecting support arm (x2pcs) and locking screw (x4pcs)



3. Fix the short side of the metal bracket to the wall.
4. Fix the camera on the long side of the metal bracket and lock with 4x screws.
5. After finishing, confirm that the connecting support arm and the hexagon socket screws on both sides are locked and fixed.



4.3 Mount to a Display

1. Install the camera on the short side of the metal bracket, and attach the camera with the appropriate screws.
 - > PTZ Camera: Screws x4
 - > Box Camera: Screws x1
2. Place on top of the display.
3. Adjust the angle of the bracket to grip the top and rear of the monitor.
4. Fasten the hexagonal socket screws on both sides to secure the mount.

