

VC-WM12 Installation Guide

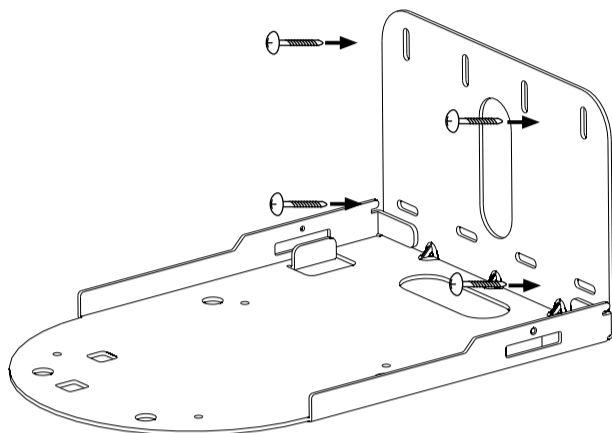
1. Accessory

1.1 M3 screws x 10

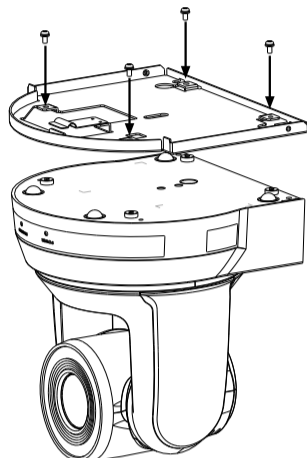
1.2 Quick Installation Guide

2. Installation

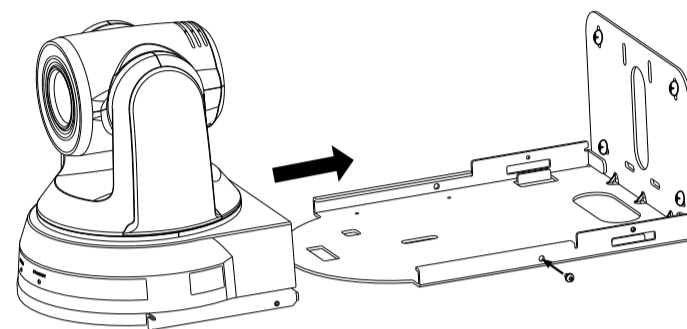
1. Secure the wall-mounted rack to the wall



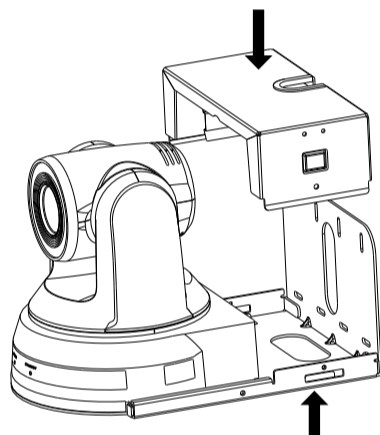
2. Screw in the M3 screws to attach the PTZ camera to the tray



3. Slide the tray with the PTZ camera fixed to it into the grooves of the L-shaped stand. Then tighten the screws on both sides.

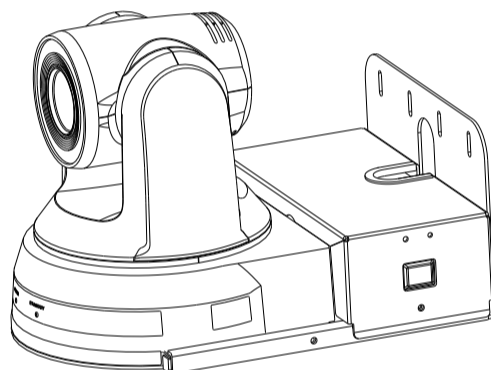


4. Connect the cable and power cord to the PTZ camera, and place the baffle board onto the stand.

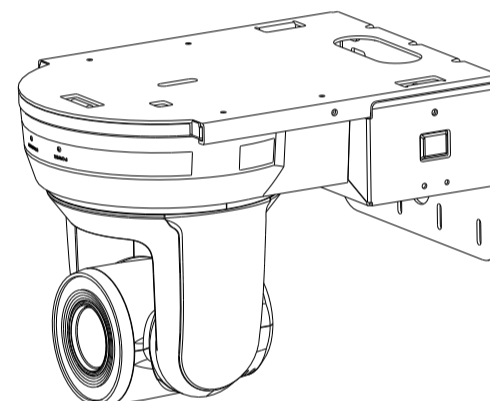


Cable and power cord

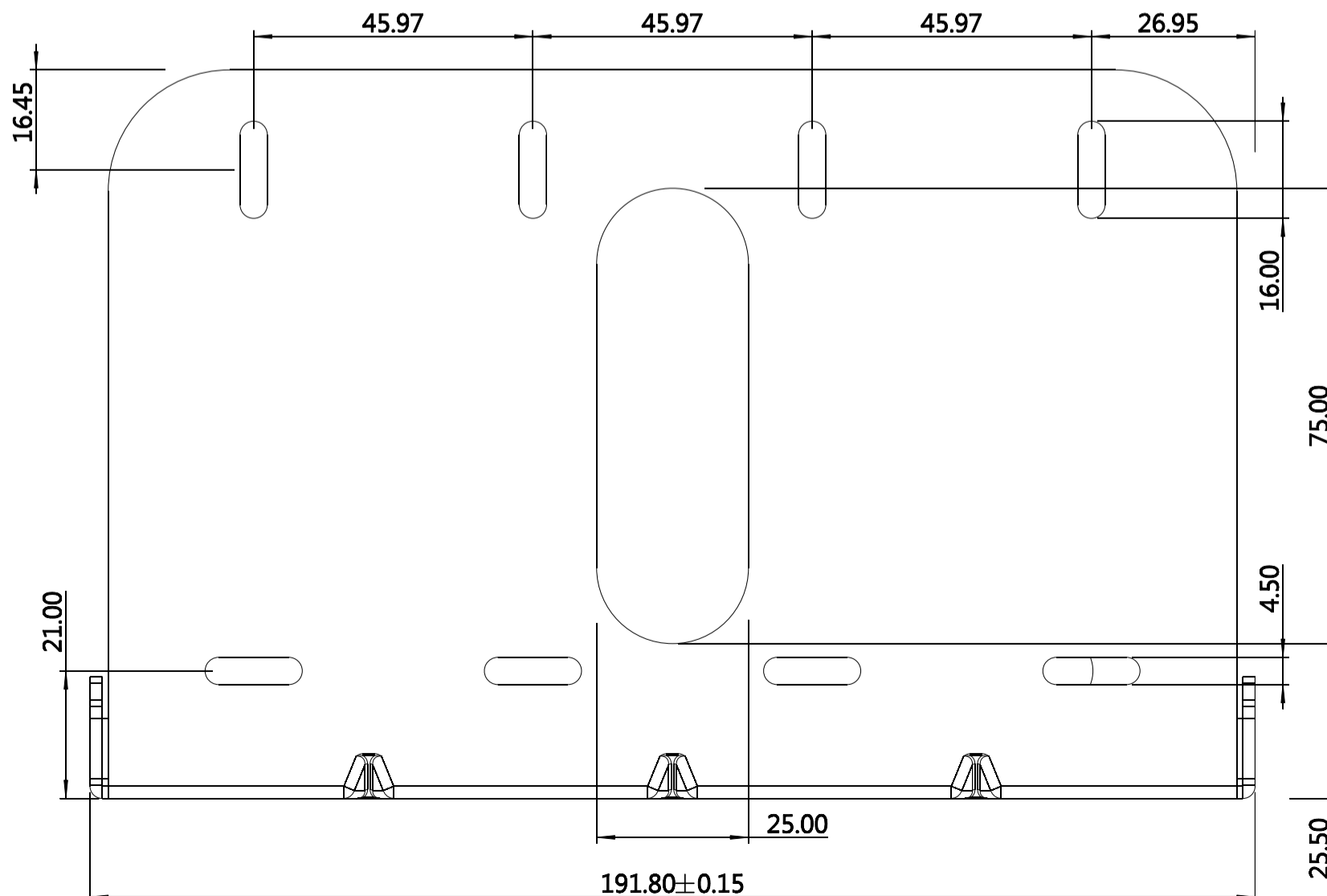
5. Finished
5.1 Right-side up



5.2 Upside down



3. Size



* In 1:1 scale