

TG L34c

Condenser Microphone

Order # 706.256



FEATURES

- Wide frequency response
- Cardioid polar response provides high gain before feedback
- Small and discreet size
- Cable length 1.45 m [4.76 ft]

APPLICATIONS

The TG L34c is used for the discrete application with lectures and presentations. Due to the cardioid polar pattern the TG L34c features a high gain before feedback and eliminates lateral sound. The TG L34c is suitable for a lot of applications and can be used with the beyerdynamic beltpack transmitters of the Opus 600 and Opus 910 wireless systems.

For the wired operation the microphone is used with an optional power adapter connected to phantom power sources.

SUPPLIED ACCESSORIES

Mounting clip
Wind shield

TECHNICAL SPECIFICATIONS

Transducer type	Condenser (back electret)
Operating principle	Pressure gradient
Polar pattern	Cardioid
Frequency response	
Close miking	30 - 18,000 Hz*
Distant miking (measured at 1 m)	200 - 18,000 Hz*
Open circuit voltage	10 mV/Pa (-40 dBV) \pm 3 dB*
Nominal impedance	1 k Ω
Max. SPL at 1 kHz	136 dB SPL*
S/N ratio	56 dB [CCIR; Q-Peak]*
Equivalent SPL	27 dB [A, RMS]*
Power supply	Direct current
Max. power consumption	0.5 mA
Supply voltage	3 - 9 V
Connection	Tiny QG, 4-pin
	Pin 1 = 0 V
	Pin 2 = 0 V
	Pin 3 = AF output
	Pin 4 = Bias input

Dimensions	
Capsule diameter	11 mm
Length	34 mm
Cable length	1.45 m
Weight without clip	17.3 g

*measured with CV 18

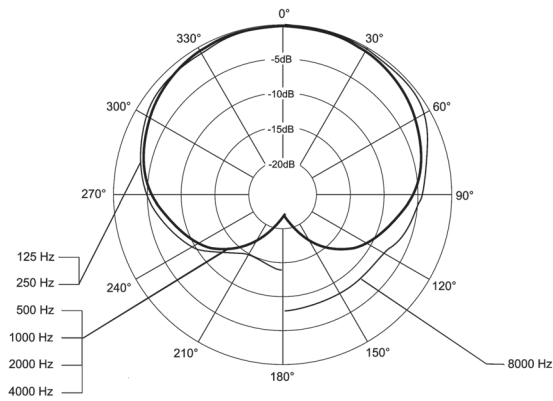
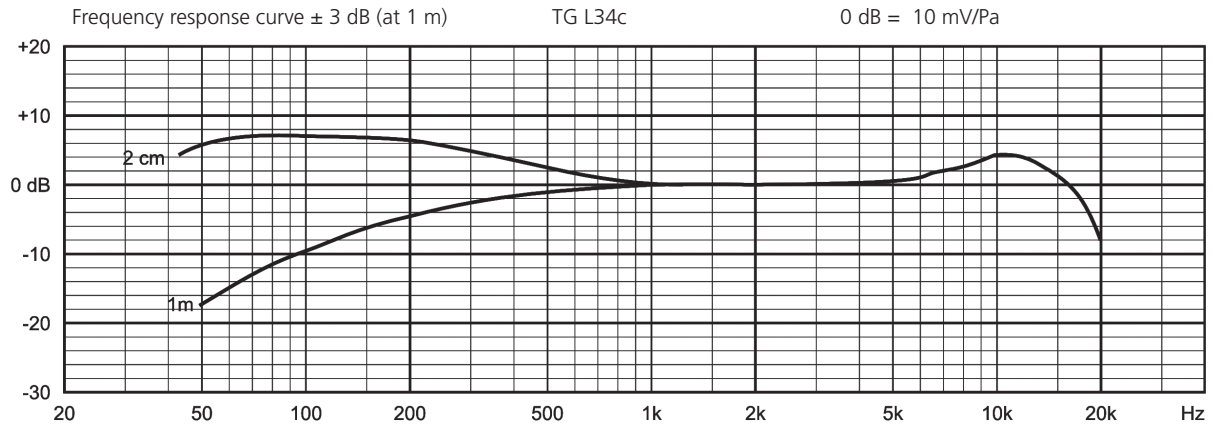
OPTIONAL ACCESSORY

CV 18 Phantom power adapter to connect to phantom-powered microphone inputs. Order # 475.378

TG L34c

FREQUENCY RESPONSE & POLAR PATTERN

This polar pattern and frequency response curve (measuring tolerance ± 3 dB) correspond to a typical production sample for this microphone.



WIRING DIAGRAM

